

MICROSTOCK, INC.

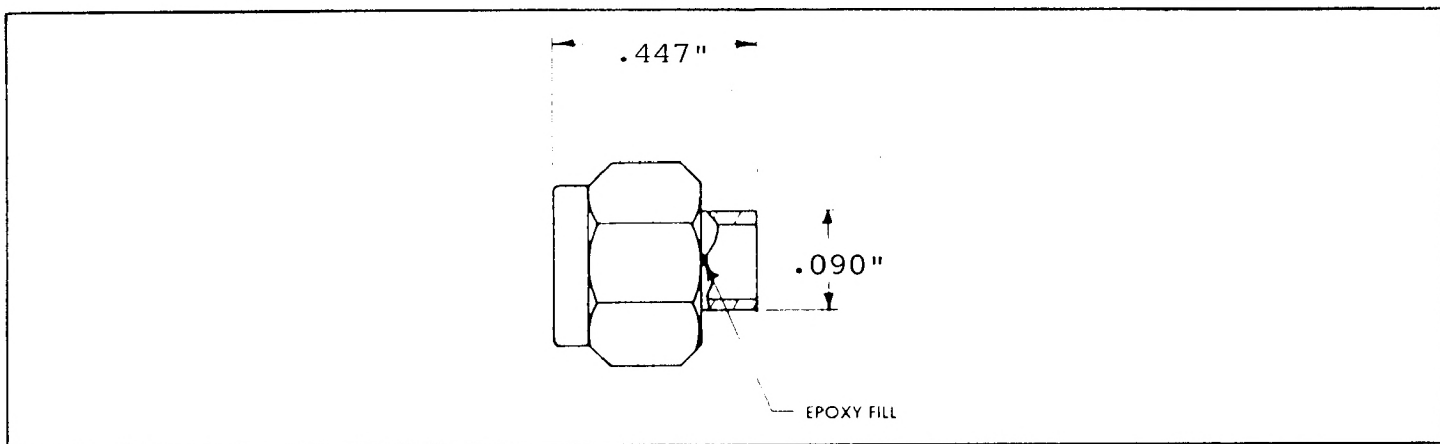
P.O. BOX 91, WEST POINT, PA 19486-0091
PHONE: (215) 699-0355 FAX: (215) 699-0286

www.Microstock-Inc.com

Sales@Microstock-Inc.com

11SMA-50-UT20

Outline Drawing and General Information



Assembly instructions follow on page 2 of 2.

Electrical:

SWR: $1.10 + .017 \times F(\text{GHz})$
IL: approximately $.03 \times F(\text{GHz})$

Materials:

Connector Body: Gold Plated Stainless Steel
Coupling Nuts: Passivated Stainless Steel
Center Pin Contact: Gold Plated Beryllium Copper