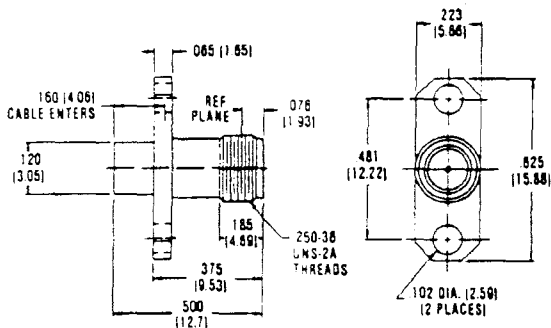


SMA PANEL JACK

Figure 12 (UT° 85) 25 SMA-50-2-102



See assembly procedure #1004

MICROSTOCK, INC.

P.O. BOX 91

WEST POINT, PA 19486-0091

(215) 699-0355 FAX: (215) 699-0286